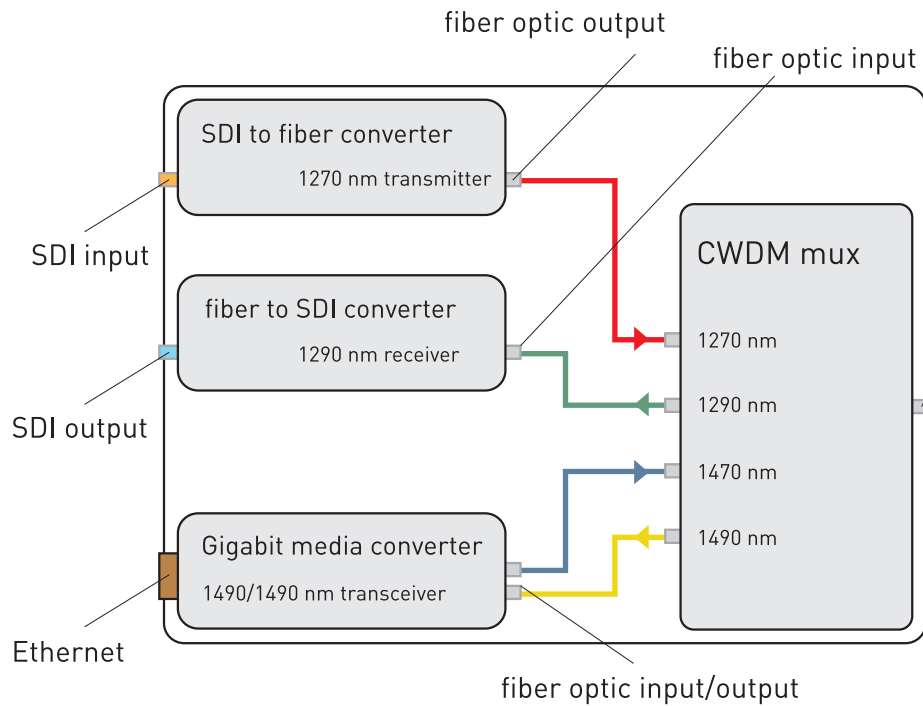
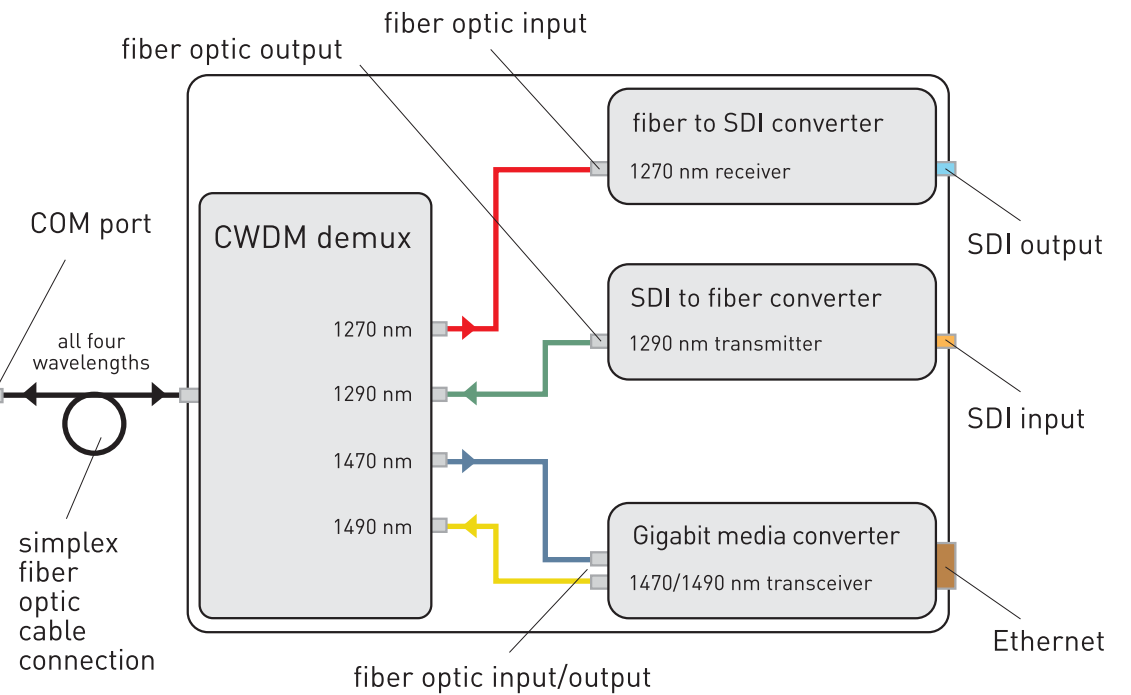


Two Channel SDI + Ethernet Multiplexer



Two Channel SDI + Ethernet Demultiplexer



- SDI multiplexer has one SDI to fiber converter; one fiber to SDI converter and one Gigabit media converter, and uses four fiber optic channels, each with its individual wavelength, corresponding to one of the CWDM mux ports
- SDI demultiplexer has one fiber to SDI converter, one SDI to fiber converter; and one Gigabit media converter, and uses four fiber optic channels, each with its individual wavelength, corresponding to one of the CWDM mux ports
- all wavelengths are combined and available at the COM ports of mux and demux